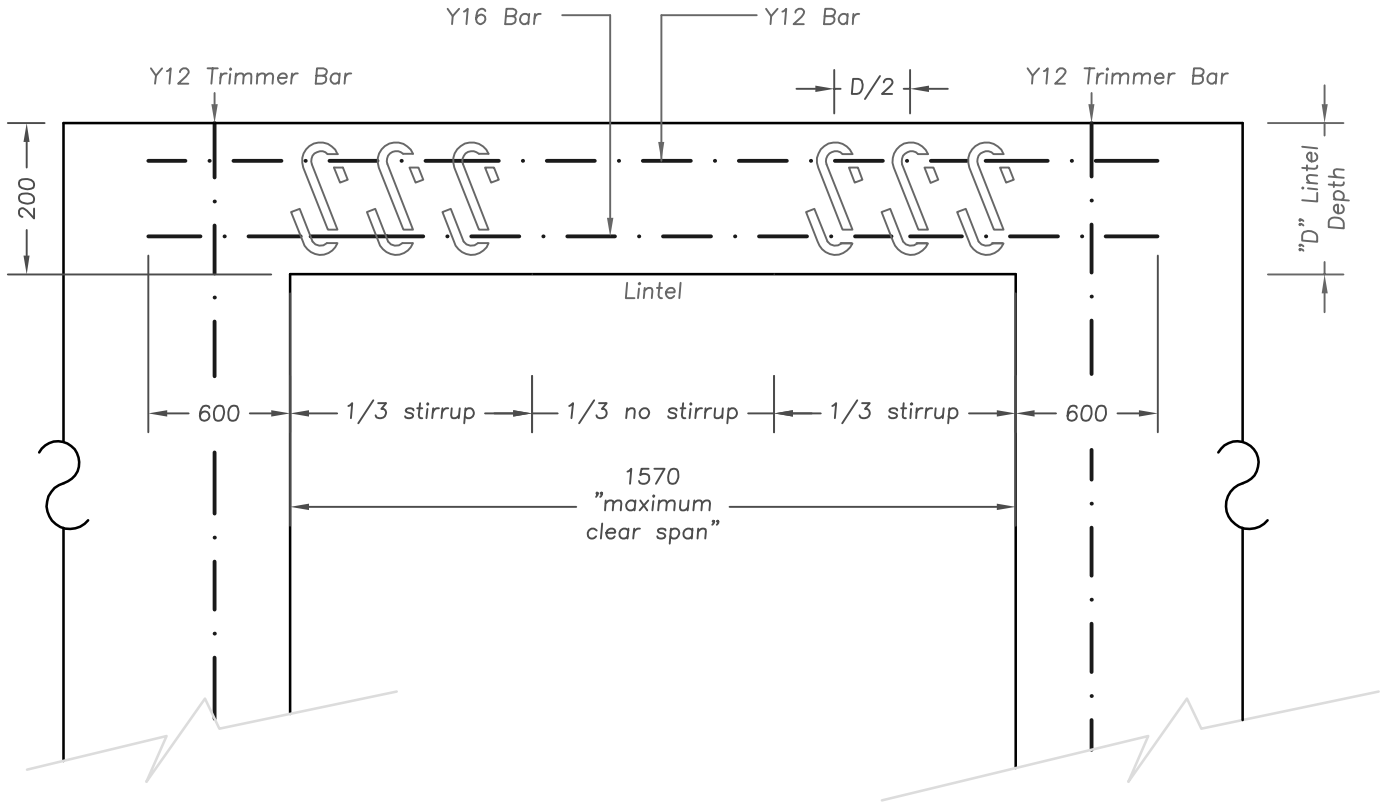
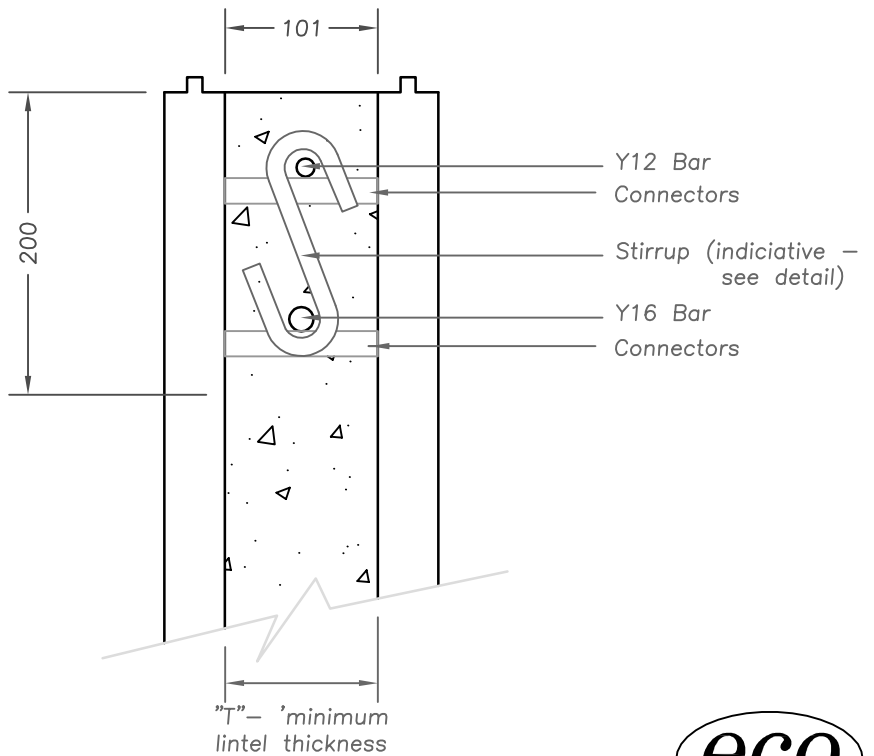


Example as per Table 5.8B - 101mm Flat ICF

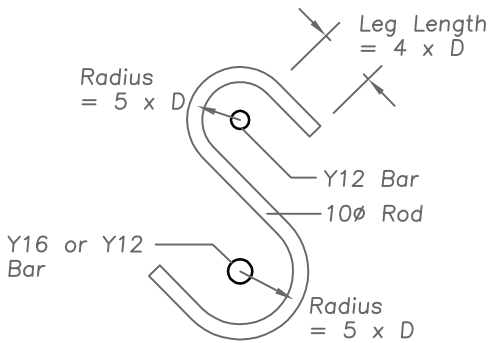
Maximum allowable clear span for flat ICF Lintel with stirrups in Load-Bearing walls (N16 bottom bar size)



Elevational View
NTS



Sectional View
1:5



Typical Stirrup Detail
1:5



Eco-Block Aust, Pty Ltd
ABN 56 102 012 993

PROJECT	CLIENT	DRAWN BY	AD	THESE DESIGNS, DRAWINGS AND SPECIFICATIONS ARE COPYRIGHT AND THE PROPERTY OF Eco-Block Aust AND MUST NOT BE USED, COPIED OR REPRODUCED IN PART OR WHOLE WITHOUT THE WRITTEN PERMISSION OF Eco-Block Aust.	
DRAWING	SCALE	JOB No.	DWG No.	DATE	ISSUE
Flat Lintel - 101mm + Stirrup	1:5/10 @ A4		1 OF 1	04/02/08	A - Construction

ALL DIMENSIONS MUST BE CONFIRMED ON SITE PRIOR TO COMMENCEMENT OF OR MANUFACTURING OF ANY ITEM. USE FIGURED DIMENSIONS IN PREFERENCE TO SCALED